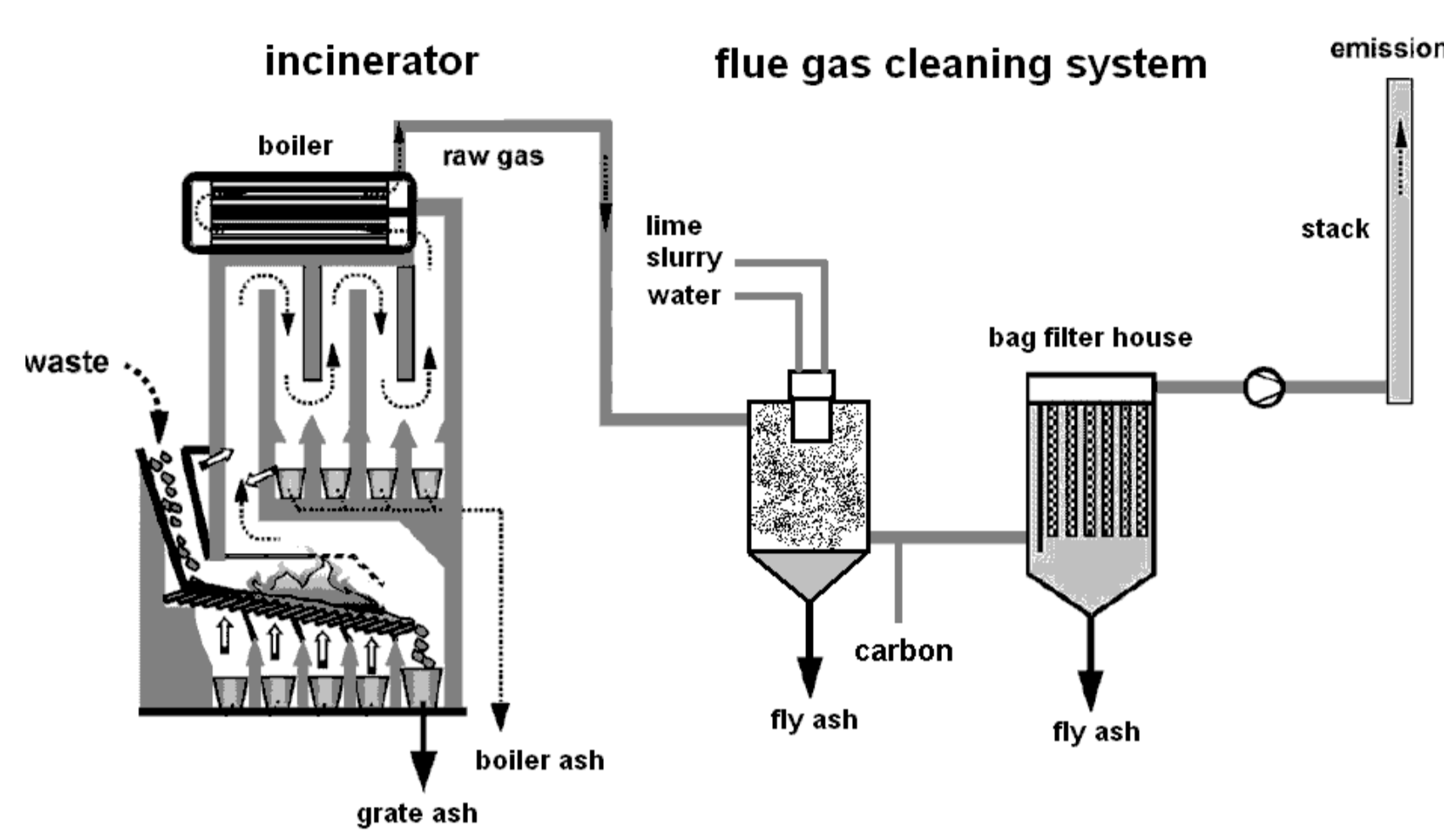


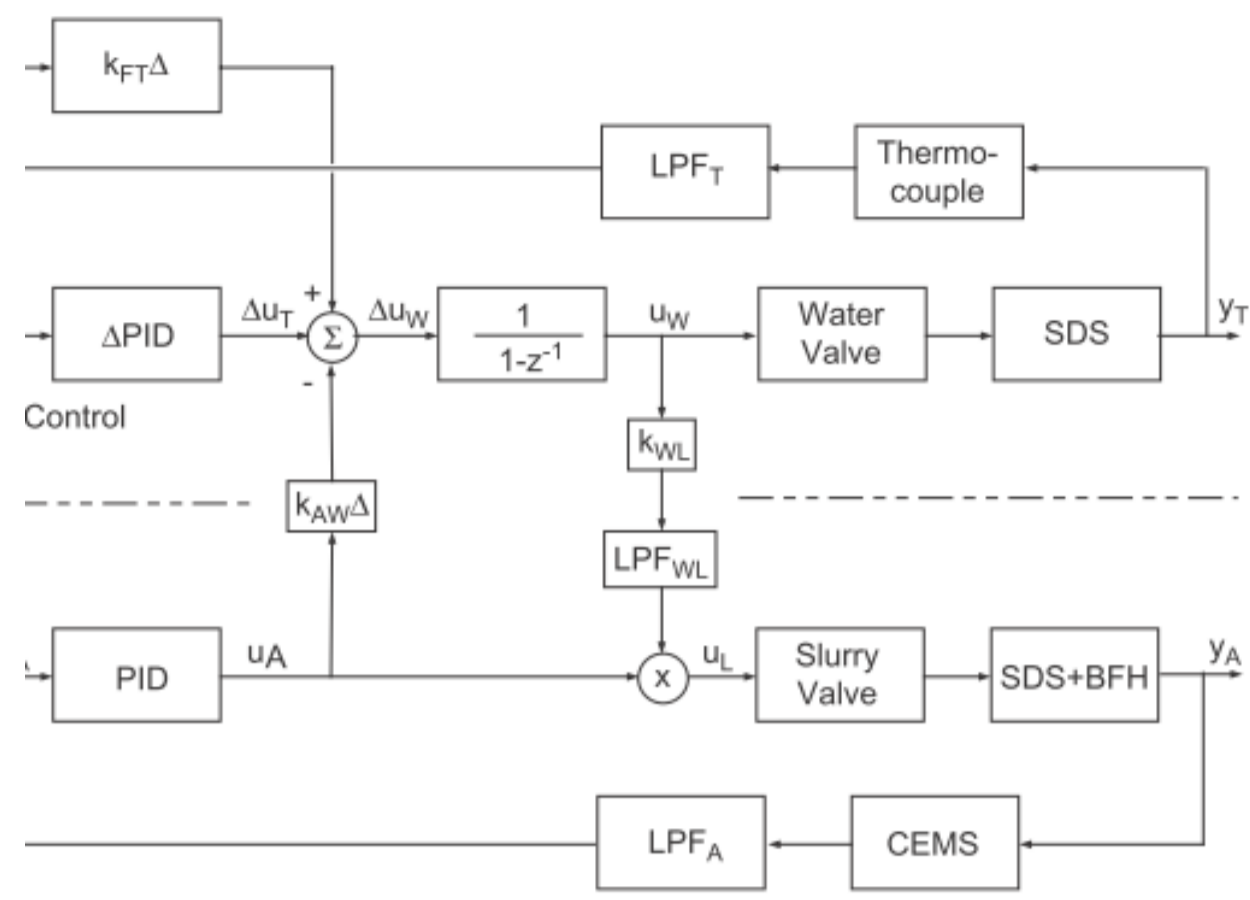


# 國立嘉義大學 機械與能源工程學系

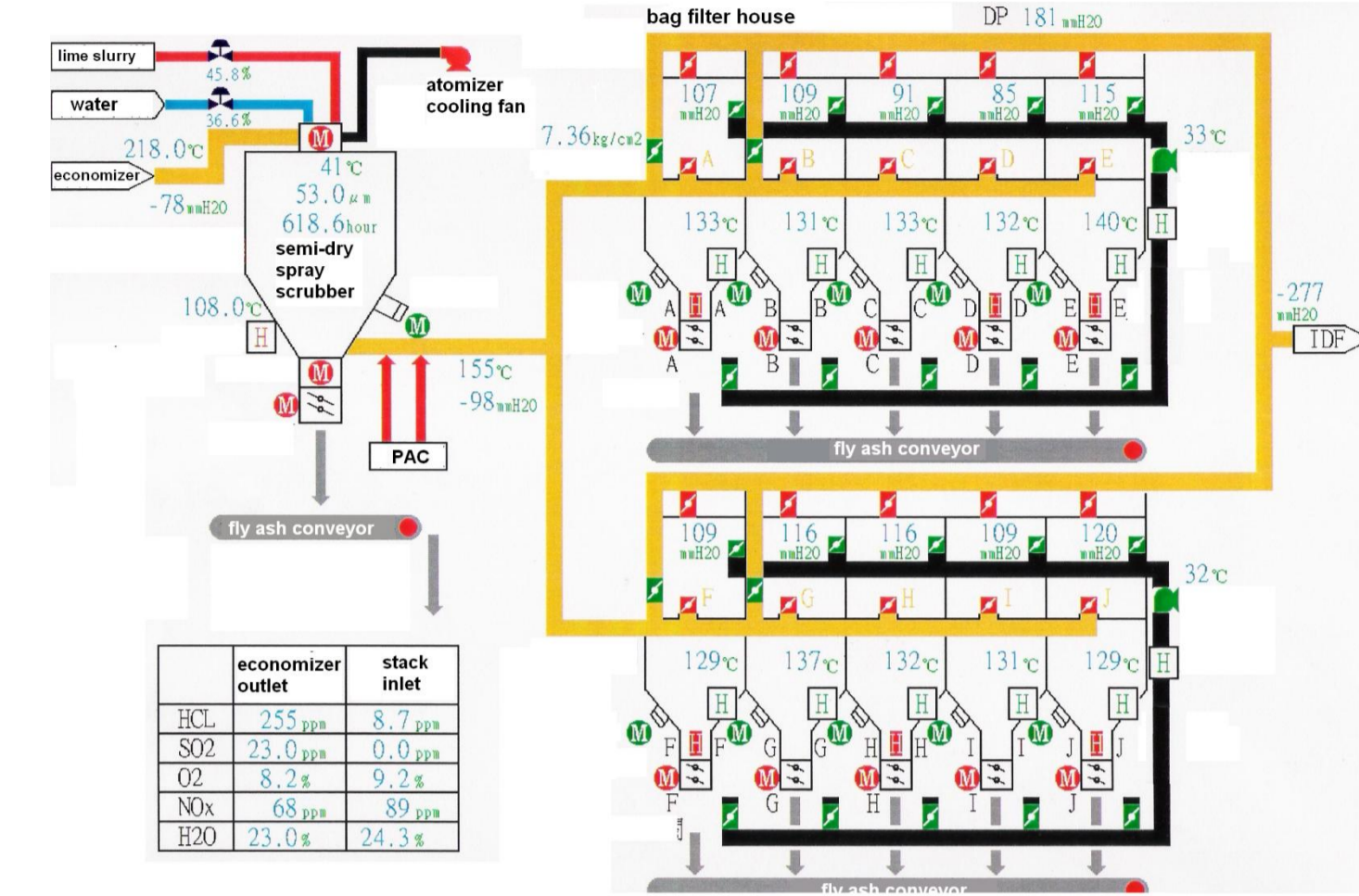
## 丁慶華 教授 研究室



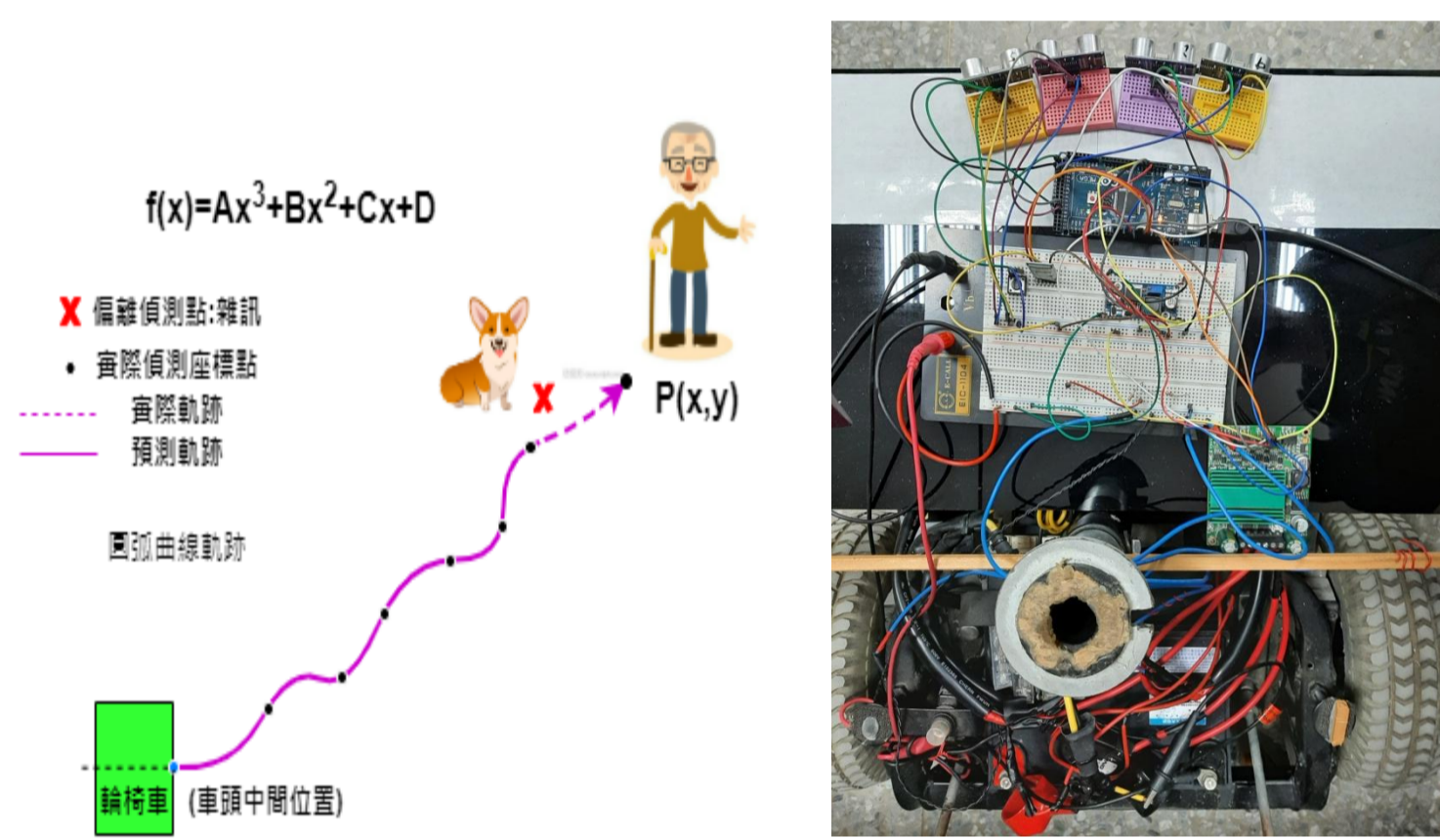
The **quality** of exhaust emission from a refuse incinerator is control by a flue gas cleaning system.



**Patented** flue gas cleaning system with **ratio PID** controls with **PLC** realisation.



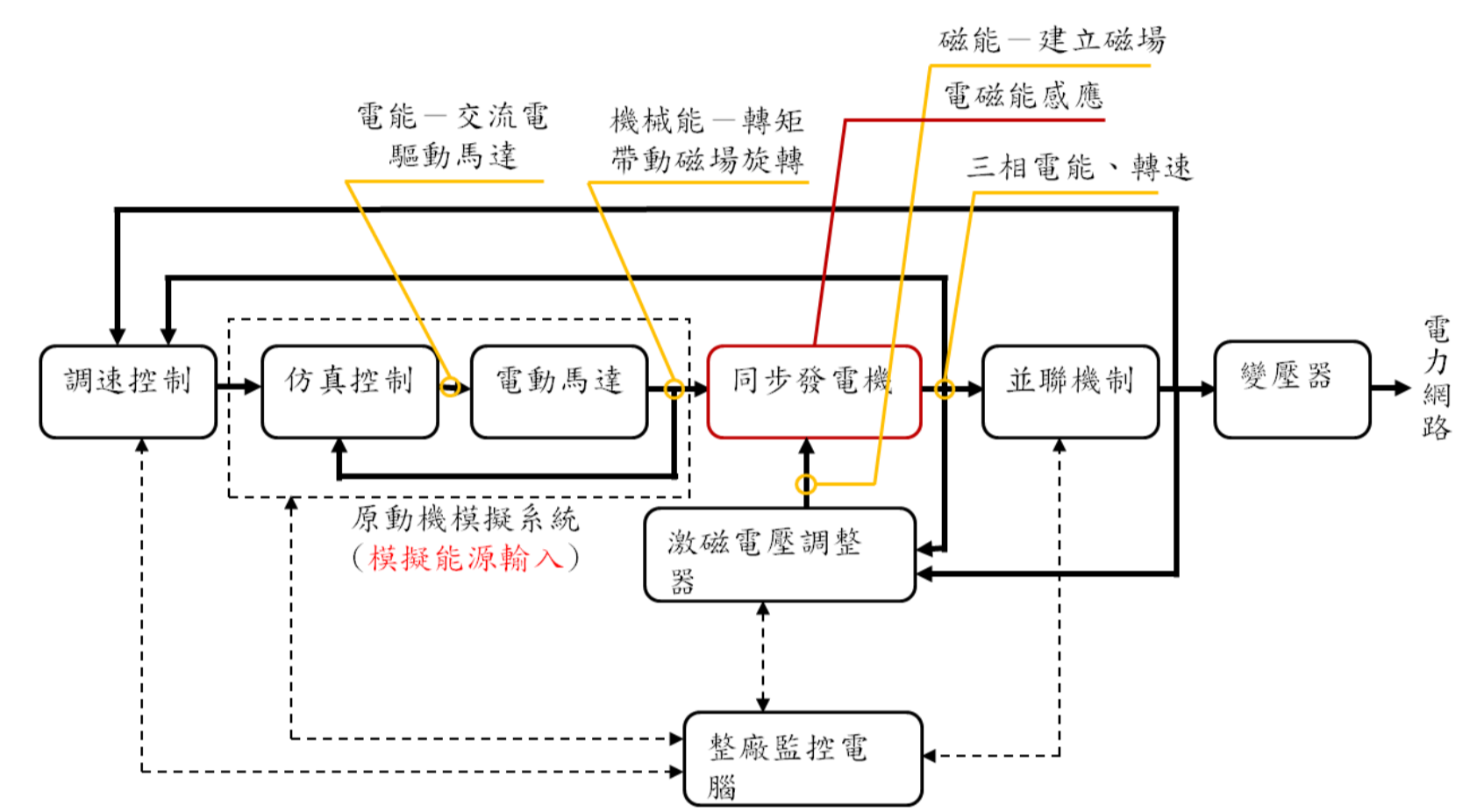
**HMI** (human-machine interface) of the flue gas cleaning system under a **distributed** control system.



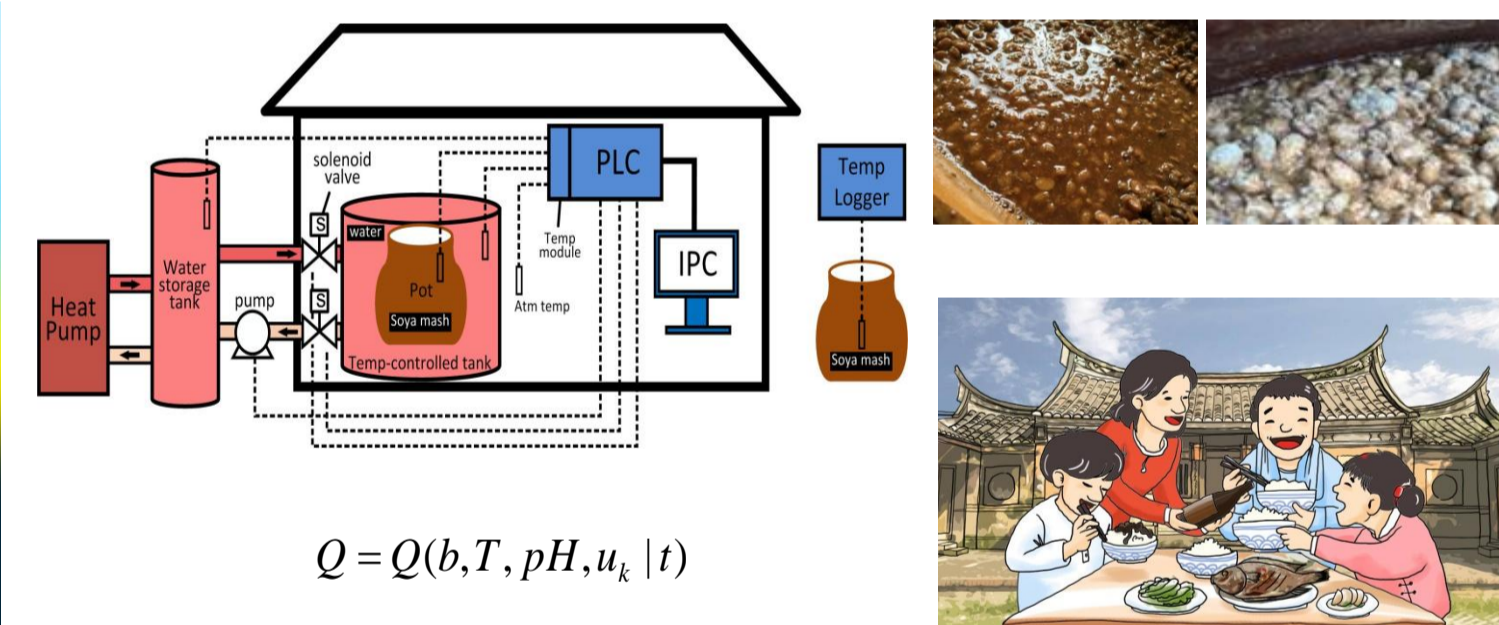
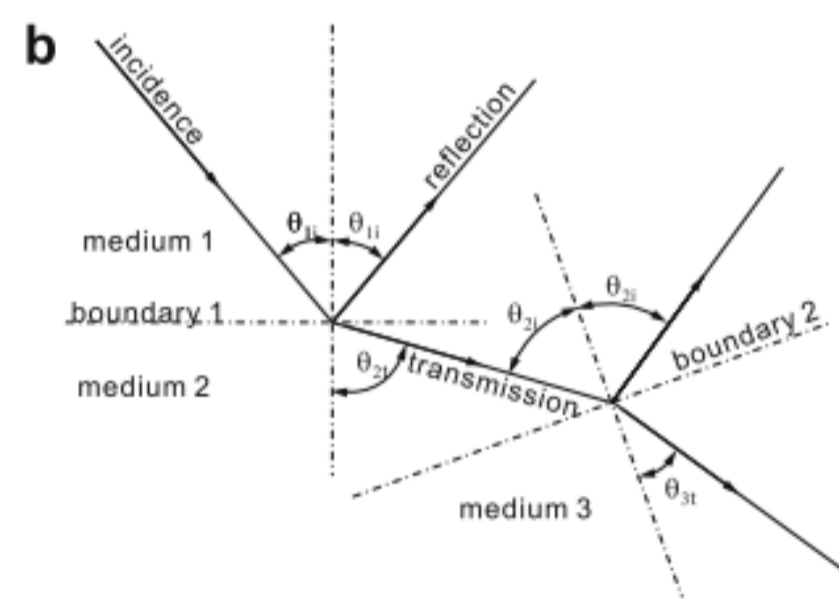
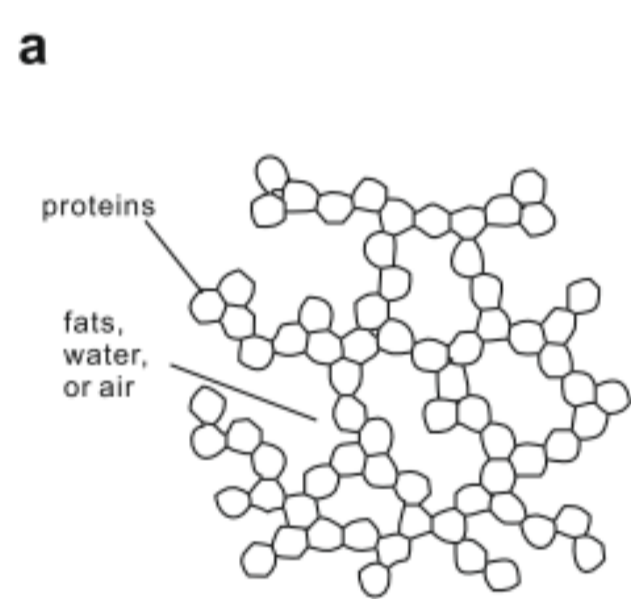
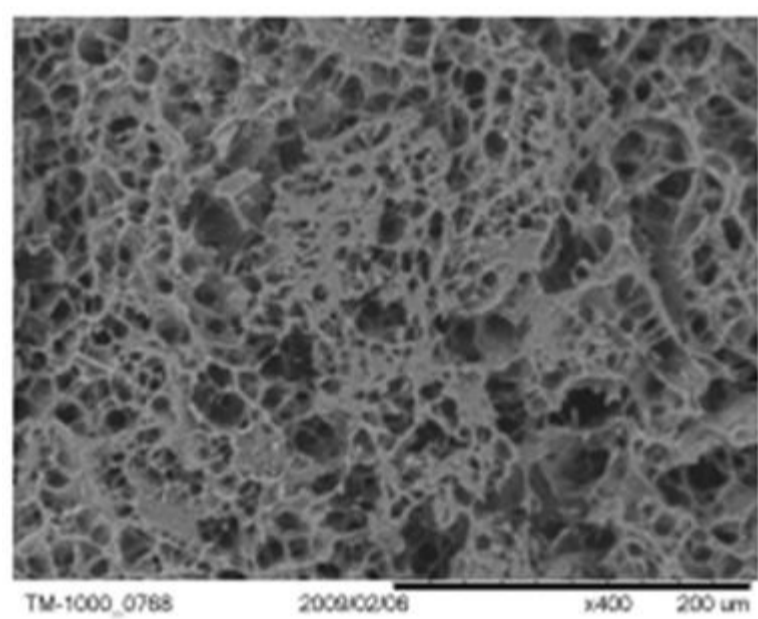
**Intelligent systems engineering** in electric wheelchair capable of autonomously following the user.



Construction, commissioning, and maintenance of **hydro** power plants.

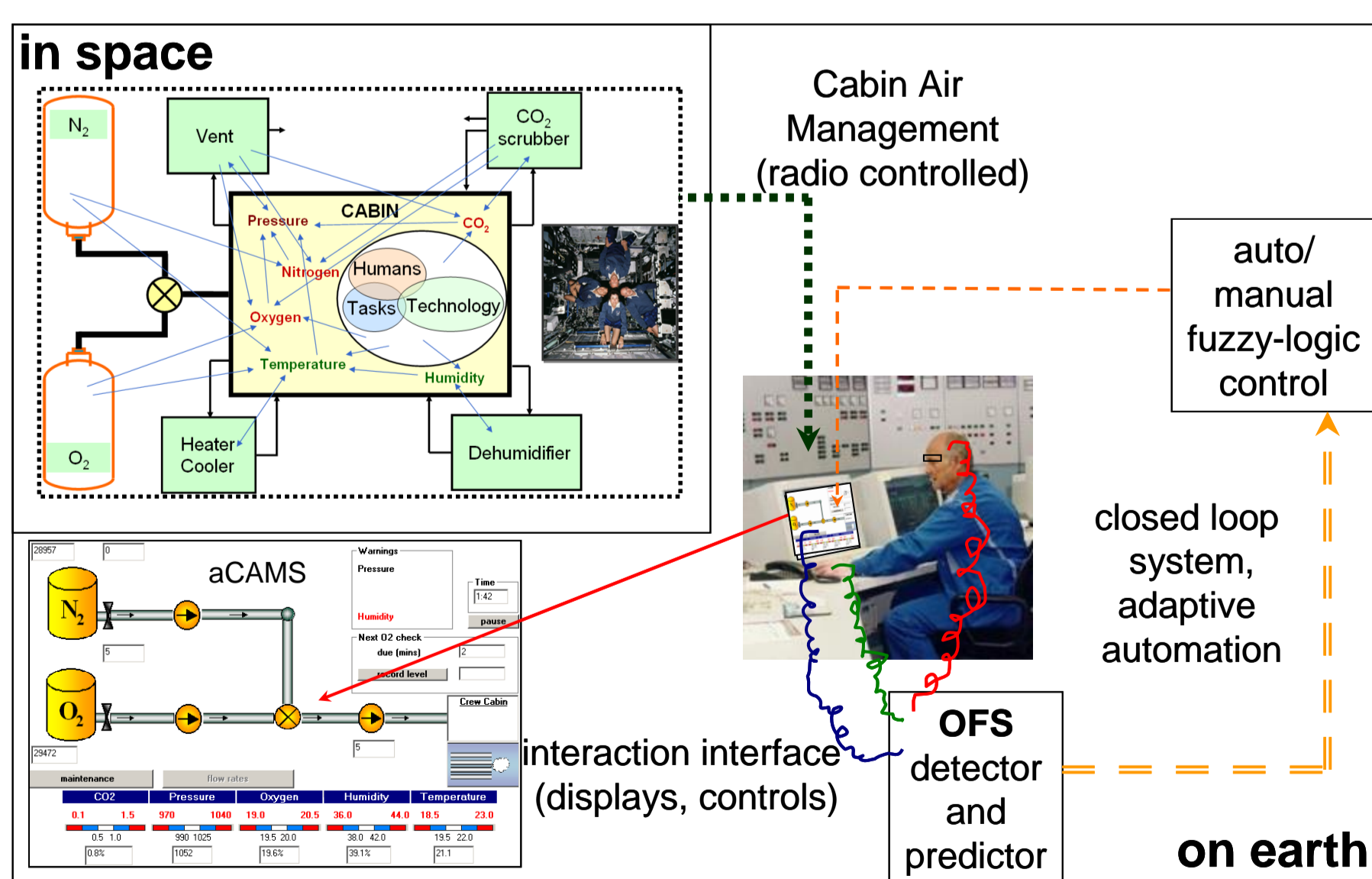


A universal power generation system **simulator** for systematic exploration of power generation systems..



**Intelligent food** systems engineering. The dynamics of an ultrasound wave travelling in a **tofu** curd for quality exploring.

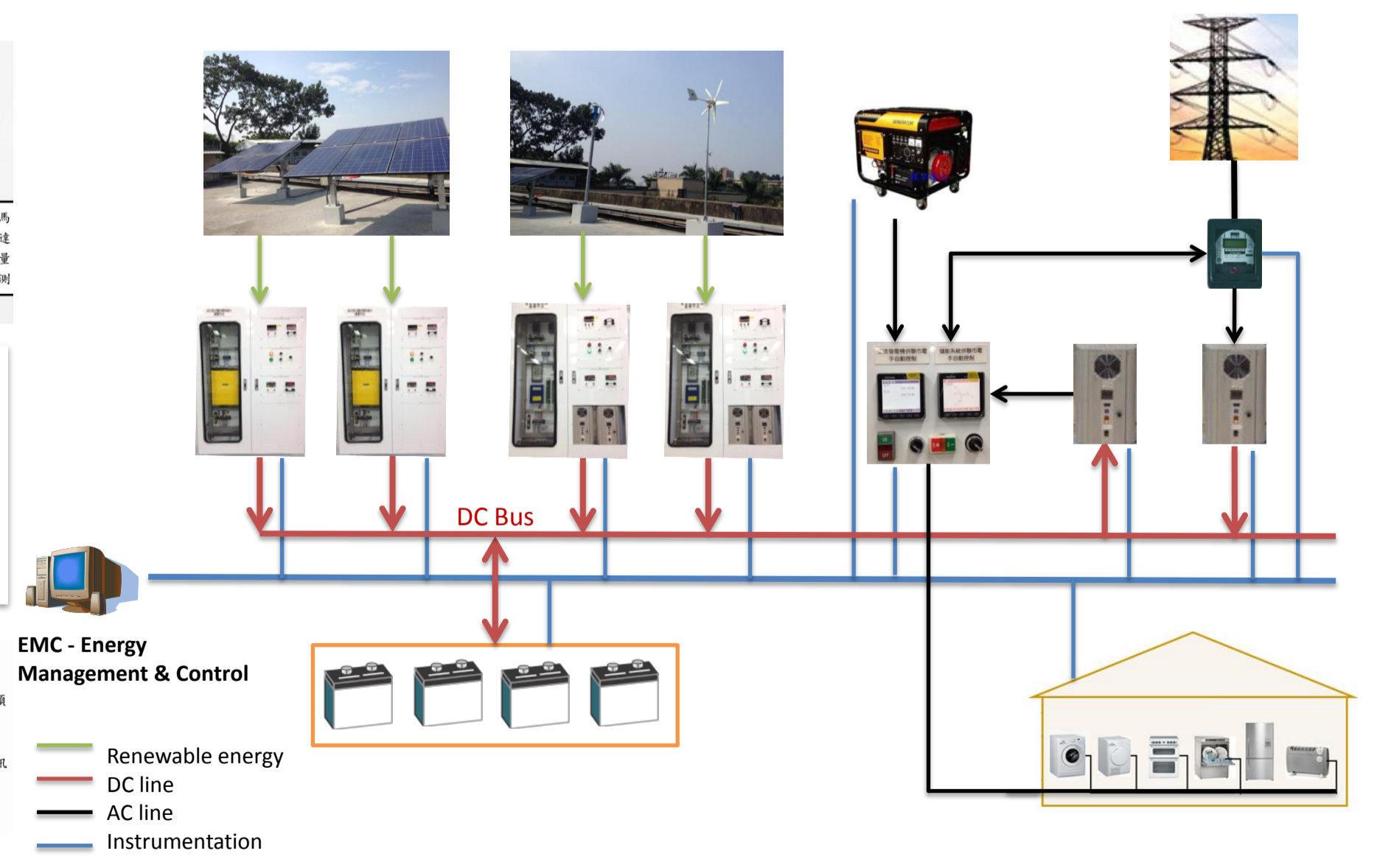
Incubating quality and healthy **soya** sauce, from dream to business.



**Adaptive** control of **space-station** cabin air management using artificial intelligence (**AI**) with **fuzzy** logic and **genetic** algorithms.



**Automated** motor quality examination.



A **hybrid-energy** micro-grid consists of: solar power, wind power, storage battery bank, and energy management and control.