

臺北市 102 學年度公立國民小學教師聯合甄選初試基礎類科知能試題(英語科)

說明：本試卷總題數 60 題，總分 120 分，每題 2 分。

一、國語文(20%)：共 12 題，每題 2 分

- 1 (C) 三字經：「凡訓蒙，須講究。詳訓誥，明句讀。」「讀」音 (A) ㄉㄨˋ (B) ㄉㄨˇ (C) ㄉㄨˊ (D) ㄉㄨˋ
- 2 (D) 王國維推崇何人的雜劇：「其言曲盡人情，字字本色，為元人第一。」
(A) 鄭光祖 (B) 張可久 (C) 馬致遠 (D) 關漢卿
- 3 (D) 「經過醫師詳細的診斷，他已病入膏()，藥石罔效。」缺空的文字應填入：(A) 盲 (B) 梁 (C) 育 (D) 肓
- 4 (D) 關於書信稱謂，用法正確的選項是：
(A) 他們兄弟真是一對「賢喬梓」
(B) 「賢伉儷」真可說是手足情深
(C) 「舍姊」將前往大陸工作
(D) 「令媛」秀外慧中、品學兼優
- 5 (B) 下列哪一個詞語有「雙聲」的關係？(A) 國家 (B) 流連 (C) 陀螺 (D) 揶揄
- 6 (C) 書寫信封啟封詞時，應根據發、受信人關係而定。假如你是發信人，下列啟封詞使用正確的是？
(A) 林書豪部長「收啟」 (B) 江蕙老師「安啟」 (C) 白冰冰校長「道啟」 (D) 周杰倫同學「鈞啟」
- 7 (B) 下列何者是在論求學之道？
ㄅ. 知之者，不如好之者；好之者，不如樂之者
ㄆ. 人未有自致者，必也親喪乎
ㄇ. 三人行，則必有我師焉
ㄏ. 知之為知之，不知為不知，是知也
(A) ㄅ ㄇ (B) ㄆ ㄏ (C) ㄅ ㄆ (D) ㄅ ㄇ ㄏ
- 8 (A) 下列成語，何者用字完全正確？(A) 判若雲泥 (B) 習習相關 (C) 柚柚逼人 (D) 拱抬物價
- 9 (C) 下列文句「 」中的詞語，何者為偏義副詞？
(A) 豈奈權臣誤國，「用舍」失宜。
(B) 他的善言善行，「遠近」馳名。
(C) 宜公平公正，不因親疏而有「異同」。
(D) 在人群中，「尋找」真愛。
- 10 (B) 兒童的語言學習，多位學者認為它有幾個共同的原則，下列何項的敘述是**錯誤**的？
(A) 語言學習是多變的 (B) 語言學習是片面的 (C) 語言學習是主動的 (D) 語言學習是自我生成的
- 11 (C) 下列哪一種現象最符合語文科「混合教學法」的概念？
(A) 識字教學，要特別配合閱讀及寫作的共同實施。
(B) 從課文裡，找說話的教材；從課文裡，找作文的教材。
(C) 課文教學時，依需要配合進行聆聽、寫字、作文等教學活動。
(D) 異質分組，使各組皆有較強與較弱的學生，混合不同程度來教學。
- 12 (C) 下列何者**最不符合**學生具有「閱讀理解監控」的概念？
(A) 知道自己讀懂了沒有
(B) 能選出哪些語詞是自己不懂的
(C) 能知道所讀的文章到哪個段落結束
(D) 能採取適當的方法處理不懂的地方

二、英文(60%)：共 36 題，每題 2 分

- 13 (C) Because of his sprained ankle, the patient had to _____ up the stairs to the doctor's office.
(A) gulp (B) honk (C) limp (D) chirp
- 14 (B) In some writing situations, the topic is not the problem; _____, the problem is which direction to take with the topic.
(A) still (B) rather (C) hence (D) consequently
- 15 (D) Xiangqi, also known as Chinese Chess, is an _____ game which requires careful thought and planning.
(A) eternal (B) apparent (C) occasional (D) intellectual
- 16 (D) This book is worth reading again and again because of its _____ plot.
(A) affording (B) describing (C) courageous (D) intriguing
- 17 (A) Ms. Lin told John that he should write more _____ next time because she had great difficulty reading his homework.
(A) legibly (B) socially (C) currently (D) temporarily
- 18 (C) Mary _____ from ear to ear because she won first prize in the speech contest.
(A) poked (B) beeped (C) grinned (D) flipped
- 19 (C) In addition to a college degree, Mr. Wu worked hard to earn himself an advanced _____ in TESOL.
(A) reputation (B) graduation (C) certificate (D) announcement
- 20 (D) A grown lion has a huge appetite and can easily _____ 60 pounds of meat at a single feeding.
(A) stretch (B) account (C) coordinate (D) consume
- 21 (D) Sharing information on computerized database reduces data entry errors that _____ trying to read people's handwriting.
(A) put together (B) lead to (C) check out (D) result from
- 22 (B) All plants need light, a suitable climate, and an _____ supply of water.
(A) inferior (B) ample (C) excess (D) inevitable
- 23 (D) The committee asked John _____ he had read Melville's *Moby Dick* in high school.
(A) that (B) what (C) where (D) whether
- 24 (D) Over the years, English has borrowed words from languages _____ which it has come into contact.
(A) in (B) at (C) for (D) with
- 25 (C) Doctors cannot tell the whole story _____ the disease occurs in an individual.
(A) of (B) about (C) of how (D) about how to

臺北市 102 學年度公立國民小學教師聯合甄選初試基礎類科知能試題(英語科)

- 26 (D) Open questions in a survey _____ for people to say how they really feel.
 (A) makes possible (B) make possible (C) makes it possible (D) make it possible
- 27 (C) For a particular substance, the density of the solid is _____ the gas.
 (A) higher than (B) to be higher of (C) higher than that of (D) much more higher than
- 28 (B) _____ the books are the author's detailed illustrations of animals in that country.
 (A) Common (B) Common throughout (C) Being common throughout (D) After being common throughout
- 29 (D) The decade of the 1960s in the field of academic training _____ a persistent focus on a comprehensive perspective of education in socially pragmatic contexts.
 (A) witnessing (B) was witnessed (C) which witnessed (D) witnessed
- 30 (A) The Internet, a backbone for the so-called data superhighway, _____ computer networks, cable TV, interactive phone services and other technologies.
 (A) consists of (B) consisting of (C) was made of (D) made up of
- 31 (B) _____ the efforts of enthusiastic collectors at the turn of the century, few folk songs created by the native Taiwanese would have survived to the present days.
 (A) If there have not been (B) Had there not been (C) If there was no (D) Have there not had
- 32 (C) _____ a fairly long speech in a play is often presented as a recitative in an opera.
 (A) There would be (B) It would be (C) What would be (D) That would be
- 33 (D) It is obviously urgent that we _____ the impact of the construction of nuclear plants, which has grown _____ to destroy human lives.
 (A) are aware of severe enough (B) are aware of enough severe
 (C) have been aware of enough severely (D) be aware ofsevere enough
- 34 (C) Expensive perfumes come in tiny bottles, but many hide a whale-sized secret. To perfect a particular smell, perfume makers often use an ingredient that comes from whales with upset tummies. The whale waste, called ambergris, is solid and greasy on its own. But in perfume, ambergris holds all the smelly ingredients together for a long time. People describe its smell as "earthy" and "sweet".
 According to the passage, the smell of many perfumes comes from _____.
 (A) tiny bottles (B) earthy and sweet whales (C) whale waste (D) secret ingredients invented by perfume makers
- 35 (B) For decades, childhood obesity rates have been on the rise. Now some U.S. cities are seeing progress in their fight against fat. In those cities, fried food has disappeared from many cafeteria menus in schools. Whole-wheat bread has replaced white bread. Drinks like water and low-fat milk have replaced sugary beverages. Many schools have also required healthier snack options in vending machines. It can be inferred that obesity rates fall in cities where _____.
 (A) prices for healthy food drop (B) schools provide healthy food choices
 (C) food labels offer nutritional information (D) students are required to exercise regularly
- 36 (A) Freshwater is a more precious commodity than many people in the developed world recognize. More than 97 percent of Earth's water is salty, unfit for drinking. Of the remainder, more than two-thirds is frozen in glaciers and icecaps, leaving just 1 percent of all the water on our planet fresh. About one one-hundredth of that 1 percent resides in rivers and other waterways; the rest is beneath the earth's surface. Pressure on this invaluable resource is growing.
 In the last sentence, the phrase "this invaluable resource" most probably refers to _____.
 (A) fresh water (B) water unfit for drinking (C) people in the developed world (D) frozen glaciers and icecaps
- 37 (B) Around 200 million years ago, Earth was 18 degrees warmer than it is now. A new study found that plant-eating dinosaurs may have contributed to prehistoric global warming by releasing significant amounts of methane gas through their farts and burps. The gas traps heat and warms the atmosphere. It can be inferred that methane is _____.
 (A) a dinosaur that eats plants (B) a greenhouse gas
 (C) a plant that dinosaurs cannot digest (D) the highest natural air temperature ever recorded on Earth
- 38 (B) It doesn't matter which room a family chooses to gather in. It could be a favorite corner of the kitchen or a wood paneled den. What does matter is that they choose to be together. For it is the support, the strength, the bonds and traditions of the family that give us what we all need most in life. What is the main idea of the passage?
 (A) Family rooms are symbols of family tradition.
 (B) The family is more important than the family room.
 (C) It is important to understand family relationships and family responsibilities.
 (D) The family room is a place where family members gather for family activities.

Globalization is the process of international integration (39) from the interchange of world views, products, ideas, and other aspects of culture. Advances in transportation and telecommunications (40) are major factors in globalization, generating further interdependence of (41) and cultural activities. The (42) of electronic communications, most notably mobile phones and the Internet, connected billions of people in new ways. Thus, as professor Robertson defined, globalization is referred to as "the (43) of the world and the intensification of the consciousness of the world as a whole."

- 39 (C) (A) raising (B) arousing (C) arising (D) rising
- 40 (D) (A) structure (B) blueprint (C) framework (D) infrastructure
- 41 (B) (A) economy (B) economic (C) economical (D) economically
- 42 (A) (A) advent (B) transformation (C) promotion (D) commitment
- 43 (D) (A) prosperity (B) competition (C) diversity (D) compression

Nursery rhyme is used for traditional poems and songs for young children in Britain and many other countries. However, most nursery rhymes were not written down until the 18th century. Nursery rhymes seem to have come from a variety of sources, including traditional riddles, proverbs, ballads, lines of Mummings' plays, drinking songs, historical events, and it has been suggested, ancient pagan rituals. Many nursery rhymes have been argued to have hidden meanings and origins. For example, Katherine Elwes' book, *The Real Personages of Mother Goose* (1930), in which she linked famous nursery-rhyme characters with real people. She assumed that children's songs were a peculiar form of coded historical narrative, propaganda or covert protest, and rarely considered that they could have been written simply for entertainment.

There have been several attempts, across the world, to revise nursery rhymes. In the late 19th century, the major concern seems to

臺北市 102 學年度公立國民小學教師聯合甄選初試基礎類科知能試題(英語科)

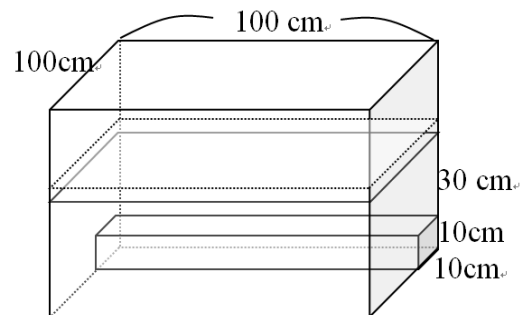
have been violence and crime, which led leading children's publishers in the United States to "improve" mother goose rhymes. In the 20th century, revisionism of nursery rhymes became associated with the idea of political correctness. Most attempts to reform nursery rhymes on this basis appear to be either very small scale, light-hearted updating, or satires written as if from the point of view of political correctness in order to condemn reform. The controversy was over changing the language of Baa Baa Black Sheep in Britain from 1986. It was alleged, uncorroborated assumption that it was a complaint against Medieval English taxes on wool, and a historic narrative about the slave trade.

However, some psychoanalysts strongly criticized this revisionism, on the grounds that revised versions might not function as ways of symbolically solving issues for children and adults or imaginatively dealing with violence and danger.

- 44 (A) What is the main topic of this passage?
 (A) The origin and development of nursery rhymes.
 (B) The controversial issues concerning nursery rhymes.
 (C) The differences of original nursery rhymes from modern ones.
 (D) The hidden meanings of nursery rhymes.
- 45 (D) According to Katherine Elwes's interpretation, all of the following statements referred to the hidden meanings accompanied with nursery rhymes are true EXCEPT _____.
 (A) nursery rhymes were telling of certain historical figures and events
 (B) nursery rhymes were written intentionally to influence people's attitude toward some cause or position
 (C) nursery rhymes hinted the author's objection to particular events, policies, or situations
 (D) nursery rhymes were an innovative writing genre to attract readers' attention and interest
- 46 (B) The "condemn" in the second paragraph is closest in meaning to _____.
 (A) consent (B) censure (C) comply (D) conform
- 47 (A) According to the passage, the allegation that Baa Baa Black Sheep was written against wool tax and slave trade is _____.
 (A) dubious (B) well-recognized (C) acceptable (D) evidence-proved
- 48 (B) It can be inferred from the passage that some psychoanalysts strongly criticized the revision of nursery rhymes because _____.
 (A) nursery rhymes were not mainly written for lessons of dealing with violence and danger
 (B) nursery rhymes might fail to show children and adults how to deal with the problems they were encountered with properly
 (C) the original structure of nursery rhymes disappeared
 (D) the connotations of nursery rhymes were contorted

三、數學(20%)：共 12 題，每題 2 分

- 49 (B) 若自然數 a 只有一個大於 1 的正因素 c ，則下列何種關係必定成立？
 (A) $c < a$ (B) $c = a$ (C) $c > a$ (D) $(a-1)(b-1) > 1$
- 50 (D) 液晶螢幕有兩種，它們的長和寬比分別為 4:3 與 16:9 的長方形。對角線都是 20 吋的這兩種螢幕，它們的面積比值是
 (A) 1 (B) $\frac{4 \times 3}{16 \times 9}$ (C) $\frac{16 \times 12}{16 \times 9}$ (D) $\frac{337}{300}$
- 51 (A) 設兩圓半徑分別為 2 公分、4 公分，兩圓圓心相距 9 公分，若兩條內公切線的交點 P，則點 P 與小圓圓心相距多少公分？ (A) 3 (B) 4 (C) 5 (D) 6
- 52 (A) 邊長 100 公分的正方體水箱裡裝水，水深 30 公分。安安在水箱中放入一根實心長方體鐵棒。已知長方體鐵棒的底部是正方形，邊長是 10 公分，請問水位會上升多少公分？
 (A) 1 公分 (B) 2 公分 (C) 3 公分 (D) 4 公分



- 53 (B) 李老師在教長度的個別單位測量時，下列哪一個情境比較不適合？
 甲：用一個板擦的長度量一個書桌的長度，看書桌的長度大約是幾個板擦的長度。
 乙：請班上同學躺在舞蹈教室排成一排來量舞蹈教室的長度，看舞蹈教室的長度大約是幾個人的高度。
 丙：用一樣大的白色積木排成一排來量數學課本的寬度，看數學課本的寬度大約是幾個白色小積木的長度。
 丁：用小明同學的手札來量黑板的長度，看黑板的長度大約是幾個手札的長度。
 (A) 甲 (B) 乙 (C) 丙 (D) 丁
- 54 (C) 下面哪一個問題的未知符號，不是表示「變量」？
 (A) 一張風景明信片 x 元，秀紋買了 5 張，秀紋共付了多少元？
 (B) 一部數字機器，當放進 3，則輸出 18；當放進 4，則輸出 21；當放進 x ，則輸出 $3x + 9$ 。
 (C) 奕寬在郵局購買面額 15 元的郵票 y 張，奕寬共花了 60 元。
 (D) 一個蘋果 30 元，柿子 20 元，媽媽各買了 x 個，要付多少元？
- 55 (A) 王老師想要布一個問題以達成「能在具體量中，利用擴分的方式，找出一個分數的等值分數」的活動目標，下面哪一個布題較合適？
 (A) 一盒巧克力有 24 顆，妹妹吃了 $\frac{2}{3}$ 盒，弟弟吃了和妹妹一樣多，請問弟弟吃了幾盒？
 (B) 一盒巧克力有 24 顆，妹妹吃了 $\frac{10}{15}$ 盒，弟弟吃了和妹妹一樣多，請問弟弟吃了幾盒？
 (C) 一盒巧克力有 24 顆，妹妹吃了 $\frac{12}{18}$ 盒，弟弟吃了和妹妹一樣多，請問弟弟吃了幾盒？
 (D) 一盒巧克力有 24 顆，妹妹吃了 $\frac{16}{24}$ 盒，弟弟吃了和妹妹一樣多，請問弟弟吃了幾盒？

臺北市 102 學年度公立國民小學教師聯合甄選初試基礎類科知能試題(英語科)

- 56 (C) 邱老師進行等值分數的教學，而在課堂中布了下面的問題：「一箱運動飲料有 24 瓶。老闆想把這箱飲料分成 \square 份來包裝，請問 18 瓶飲料是幾箱？」請問 \square 可能是多少？
(A)2 (B)3 (C)4 (D)6
- 57 (B) 學生能夠自行繪製全校各年級學生的百分率圓形圖，學生需要具備哪些先備知識？
甲：分數乘法概念
乙：分數除法概念
丙：量角器的使用
丁：圓心角與扇形面積成正比
(A)甲、乙、丙 (B)甲、丙、丁 (C)甲、乙、丙、丁 (D)丙、丁
- 58 (C) 下列是學生計算小數各種問題常見的錯誤類型，哪一個題目錯誤的最可能原因和其他三個題目的錯誤原因不同？
(A) $3.8 \times 3 = 9.24$ (B) $3.15 \div 3 = 1.5$ (C) $3.98 > 3.89 > 3.08 > 3.9$ (D) $3.98 > 3.89 > 3.9 > 3.08$
- 59 (C) 下列哪一類型問題，對二年級學生最為困難？
(A)一枝鉛筆 45 元，一個橡皮擦 28 元，一枝鉛筆比一個橡皮擦貴多少元？
(B)一枝鉛筆 45 元，一個橡皮擦 28 元，一個橡皮擦比一枝鉛筆便宜多少元？
(C)一個橡皮擦 28 元，一個橡皮擦比一枝鉛筆便宜 17 元，一枝鉛筆多少元？
(D)一個橡皮擦 28 元，一枝鉛筆比一個橡皮擦貴 17 元，一枝鉛筆多少元？
- 60 (B) 臺北市國民小學 100 年度基本學力檢測試題
- 小蘭做「 $15.12 + 0.1$ 」的數學題目，算出來的答案是「15.13」。想一想，小蘭的答案正確嗎？為什麼？請把理由寫出來。
- 能正確回答的學生中，把它分成四個類型：
甲：能指出小蘭的答案「不正確」，以小數的位值概念說明理由。
乙：能指出小蘭的答案「不正確」，以小數點未對齊說明理由。
丙：能指出小蘭的答案「不正確」，以驗算方式（例： $15.13 - 0.1 = 15.03$ ）檢驗答案不正確說明理由。
丁：能指出小蘭的答案「不正確」，以重新正確計算出正確答案說明理由。
這四種類型的回答比率最高者為 (A)甲 (B)乙 (C)丙 (D)丁