

國立嘉義大學 99 學年度

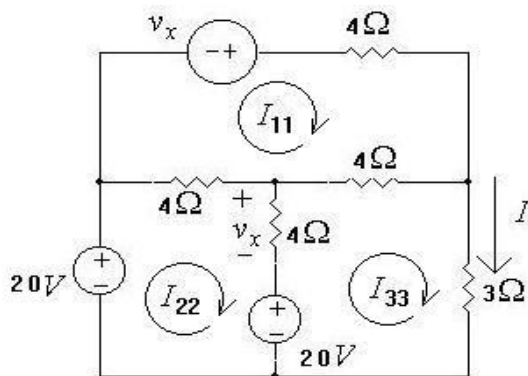
資訊工程學系碩士班 (乙組) 招生考試試題

科目：電子電路學

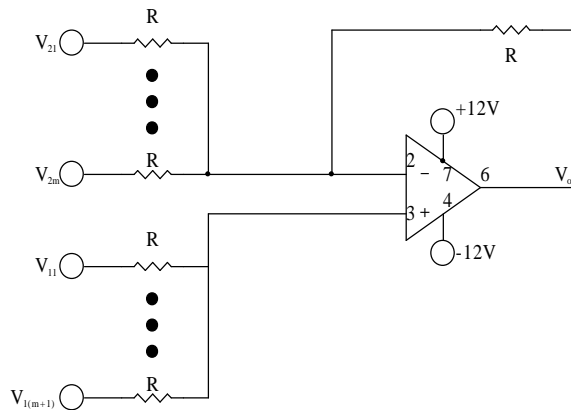
1. Calculate the following inverse Laplace transformation: (25%)

$$L^{-1}\left[\frac{4s^3}{(s-1)(s-2)(s-3)}\right]=?$$

2. Find the current I shown in the following figure. (25%)



3. Calculate the output function V_o of the following operational amplifier system, where the operational amplifier is ideal. (25%)



4. Solve the output voltage V_o with the condition $V_i = 3V$. (25%)

